

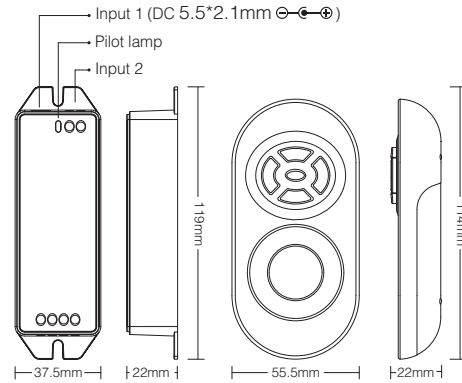
RGB LED Strip Controller (433MHz)

Model No.: FUT042

Features

This controller adopt the widely used 433MHz wireless technology with the features of low power consumption, long signal transmitting and strong anti-interference, etc. Widely used on the controlling of hotel lighting and home lighting.

- RGB Color changing
- 433MHz RF wireless transmission technology
- Dimmable control
- Remote control Control distance 30m



Parameters

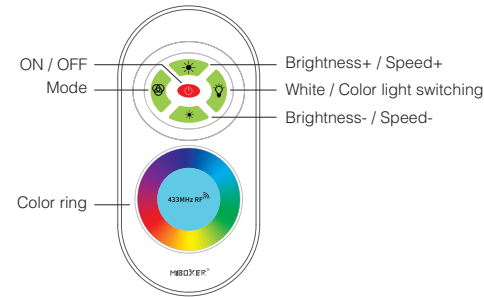
Remote Control

Working Voltage: 3V(2*AAA Battery) Transmitting Power: <10mW
Working Temp.: -20~60°C Modulation Method: ASK
RF: 433MHz Control Distance: 30m
Standby Power: 20uA

Strip Controller

Input Voltage: DC12V~24V RF: 433MHz
Output: 6A/Channel Control Distance: 30m
Total Output: Max 12A Output Connection: Common anode
Working Temp.: -20~60°C

Products Key Diagram

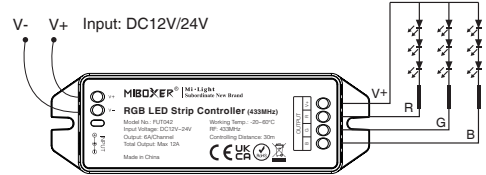


- Touch the color ring to change colors
- Turn on or off the linked lighting device
- Dynamic mode switching button (See the dynamic mode sheet)
- Switch button for color light and white light.
Note: If you want to change color under white light mode, you need to switch to color light mode.
- Under color light and white light, brightness +
Under dynamic mode, See the dynamic mode sheet
- Under color light and white light mode, brightness -
Under dynamic mode, See the dynamic mode sheet

Connect diagram

Pilot lamp instruction:

Always lighting means working normally; Flash means receiving remote signal.



Note

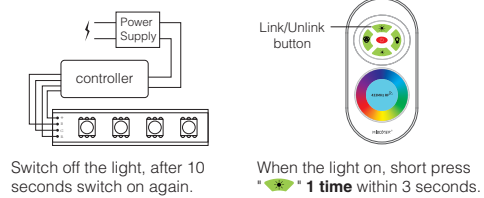
Factory setting is one remote control one receiver. Users can group it as per the need. One remote can control countless receivers, but one receiver just can be controlled by max 4 remotes.

Dynamic Mode Sheet

Press and adjust brightness and speed.

Number	Dynamic Mode	Brightness	Speed
1	Change color automatically	Adjustable	—
2	Three color jump to change	—	Adjustable
3	Seven color jump to change		
4	Three color gradual change		
5	Seven color gradual change	Adjustable	—
6	Red jumps to change		
7	Blue jumps to change		
8	Purple jumps to change		
9	Green jumps to change		
10	Yellow jumps to change	—	Adjustable
11	Cyan jump to change		
12	White jump to change		
13	Red and blue flash alternately		
14	Blue and green flash alternately		
15	Red and green flash alternately	—	Adjustable

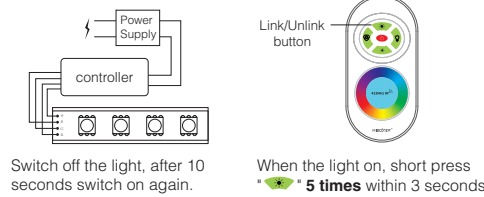
Linking the controller



The light blink 3 times slowly means the linking is done successfully.

If the light not blink slowly, the linking failed, pls switch off the light again, and follow the above steps again.

Unlinking the controller



The light blinking 6 times quickly, means the unlinking successfully.

If the light not blink quickly, the unlink failed, pls switch off the light again, and follow the above steps to unlink again.

Attention

- Please check whether the input voltage of the constant voltage power supply is in accordance with the controller, and please check the connection of both the cathode and anode, otherwise the controller will be damage.
- Please don't connect wires with power on. Please turn on again only when it is in right connection and no short circuit.
- Non-professional user cannot dismantle the controller directly, otherwise it may damage the controller.
- Please do not use the controller in the place with widely range metal area or strong electromagnetic wave nearby, otherwise, the remote distance will be seriously affected.



Made in China