

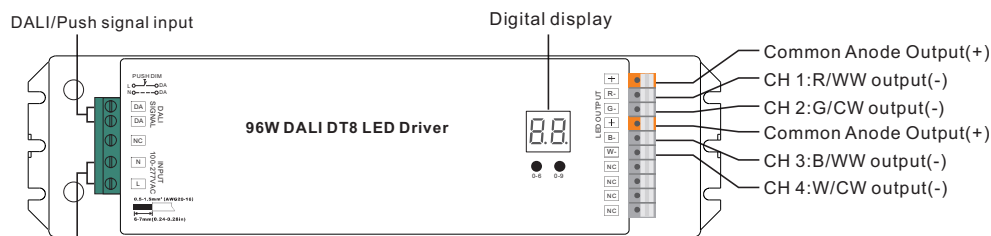
96W DALI DT8 Dimmable LED Driver

70220030-1



Important: Read All Instructions Prior to Installation

Function introduction



AC 100-277V input

Product Data

Output	LED Channel	4
	DC Voltage	24V DC
	Max. Current	Max. 4A/CH, CH1+CH2+CH3+CH4=4A
	Voltage Tolerance	± 1%
	Rated Power	max. 96W
Input	Voltage Range	100-277V AC
	Frequency Range	50/60Hz
	Power Factor (Typ.)	> 0.90 @ 230VAC
	Total Harmonic Distortion	THD ≤ 15% (@ full load / 230VAC)
	Efficiency (Typ.)	90% @ 230VAC full load
	AC Current (Typ.)	1.2A @ 100VAC, 0.5A @ 230VAC
	Inrush Current (Typ.)	COLD START Max. 50A @ 230VAC
	Leakage Current	< 0.5mA /230VAC
Control	Dimming Interface	DALI DT8 (DALI consumption<2mA)/Push
	Dimming Range	0.1%-100%
	Dimming Method	Pulse Width Modulation
	Dimming Curve	Logarithmic
Protection	Over Current	Yes, recovers automatically after fault condition is removed
	Over Temperature	Yes, recovers automatically after fault condition is removed

Environment	Working Temp.	-20°C ~ +50°C
	Max. Case Temp.	75°C (Ta= "45°C")
	Working Humidity	10% ~ 95% RH non-condensing
	Storage Temp. & Humidity	-40°C ~ +80°C, 10% ~ 95% RH
Safety & EMC	Safety Standards	UL8750, CAN/CSA C22.2 No. 250.13-14, EN61347-1, EN61347-2-13 approved
	Withstand Voltage	I/P-O/P: 3.75KVAC
	Isolation Resistance	I/P-O/P: 100M Ohms / 500VDC / 25°C / 70% RH
	EMC Emission	EN55015, EN61000-3-2, EN61000-3-3
	EMC Immunity	EN61547, EN61000-4-2,3,4,5,6,8,11, , surge immunity Line-Line 1KV
Others	MTBF	189200H, MIL-HDBK-217F @ 230VAC full load and 25°C ambient temperature
	Dimension	244*64*32mm (L*W*H)

- Dimmable LED driver, max. output power 96W total
- In compliance with IEC 62386-101:2014, IEC 62386-102:2014, IEC 62386-207 Ed2, IEC 62386-209:2011
- Built-in DALI-2 interface, DALI DT8 device
- 100-277VAC wide input voltage
- 4 channels DC 24V constant voltage output
- Class II power supply, full isolated plastic case
- High power factor and efficiency
- DALI DT8 device, each device is controlled via a single DALI address
- Any one of three DT8 color types RGBW, XY Coordinate, Tc can be preset by factory setting
- Color control according to DALI specifications of device type 8
- Compatible with universal DALI masters that support DT8 commands
- IP20 rating, suitable for indoor LED lighting applications
- 5 years warranty

Safety & Warnings

- DO NOT install with power applied to the device.
- DO NOT expose the device to moisture.

Operation

Set DALI Address Manually Via Buttons



- 1.1. Press and hold down any of the two buttons until numeric digital display flashes, then release the button.
- 1.2. Click any of the two buttons once to select a digit, click again to change the digit until the desired DALI address appears. Click first button to set "tens" position and second button to set "units" position. The address can be set from 00~63.
- 1.3. Then press and hold down any of the 2 buttons until the numeric digital display stops flashing to confirm the setting.

Note: DALI address can be manually assigned from 00-63-FF, by factory defaults, no DALI address is assigned for the dimmer, and the display shows **FF. Setting DALI address as **FF** will reset the dimmer to factory defaults.**

3. DALI Address Assigned by DALI Masters

DALI address can also be assigned by DALI Master controller automatically, please refer to user manuals of compatible DALI Masters for specific operations.

Note: The digital display will show **AU** When the DALI master is assigning addresses.

4. Once an address is selected, all four channels' address will be the same. For example, if the dimmer is addressed to 22 on the display then Ch1, Ch2, Ch3 and Ch4 will be the same address 22.

5. PUSH Dimmer Mode

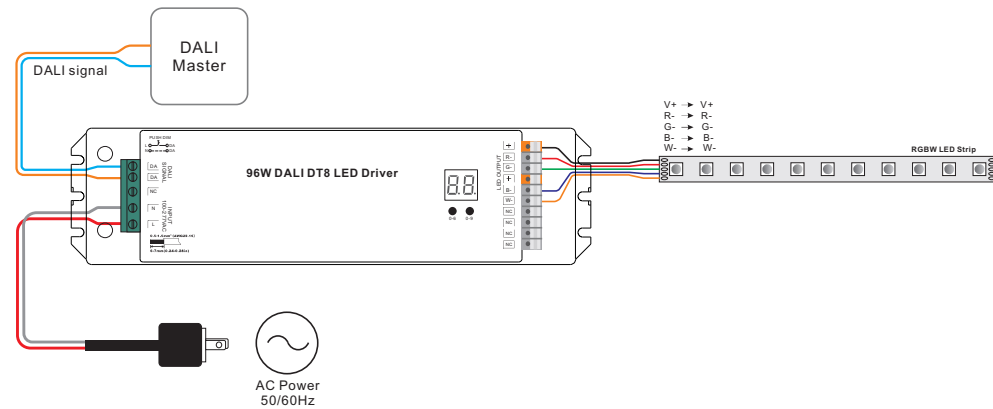
While connected with a AC PUSH, the digital display will show "PD" which means Push Dimmer Mode, operations under Push Dimmer Mode are as follows:

- 5.1. Click the button to switch ON/OFF
- 5.2. Press and hold down the button to increase or decrease light intensity to desired level and release it, then repeat the operation to adjust light intensity to opposite direction.
- 5.3. Memory function after power off or power failure enables the device to memorize the status before power off while power on again.

Wiring diagram

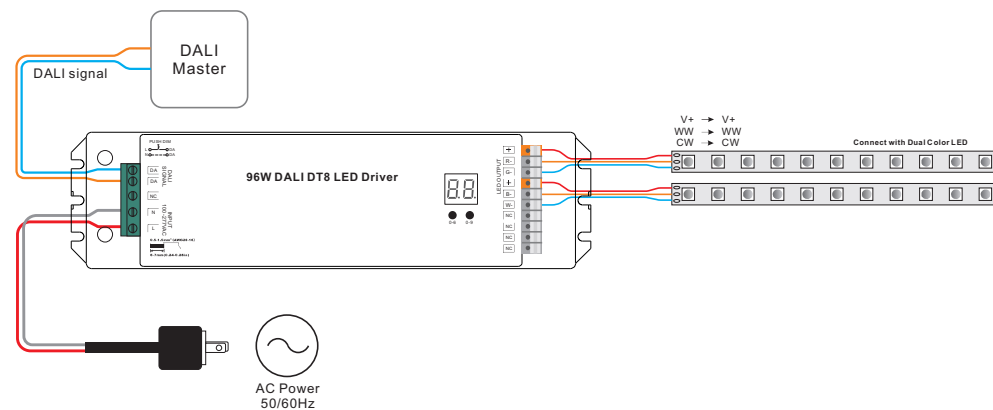
1. With DALI Bus

1.1 When Preset Color Type is RGBW or XY coordinates

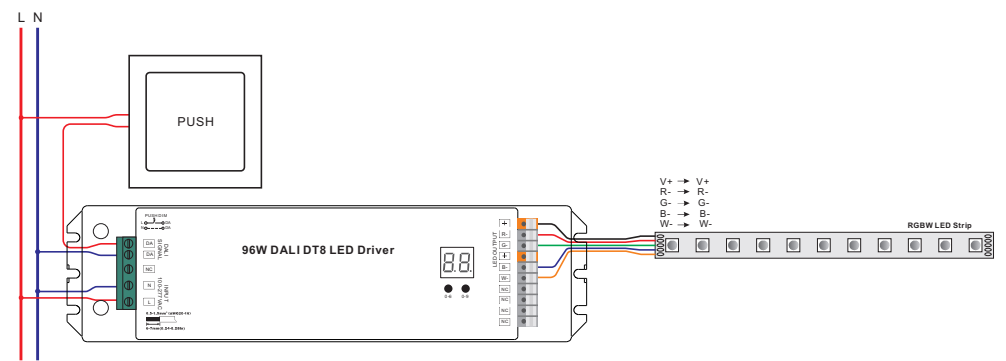


- Note:**
- 1) DT8 color type of the driver can be RGBW or XY coordinates, which can be preset by factory setting.
 - 2) For color type XY coordinates, the 4th W channel can only be controlled together with RGB channels.
 - 3) Only when the coordinate point at the area where R, G, B three colors mix color will W channel turn on.
 - 4) W channel intensity will go up only as R, G, B three colors' intensity goes up simultaneously.
 - 5) W channel intensity will go down only as R, G, B three colors' intensity goes down simultaneously.
 - 6) If controlled by XY type touch panel, use W button on the panel to mix RGB thus turn on 4th channel W.

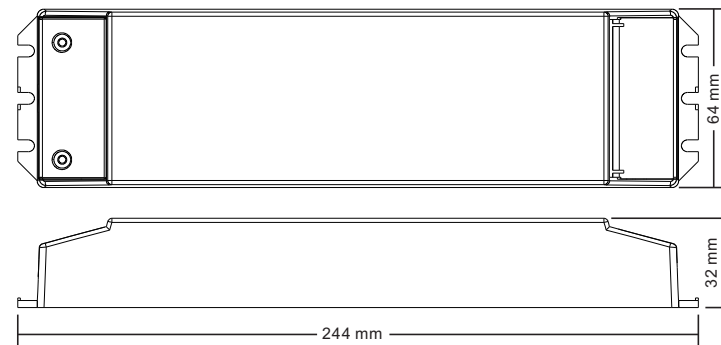
1.2 When Preset Color Type is Tc



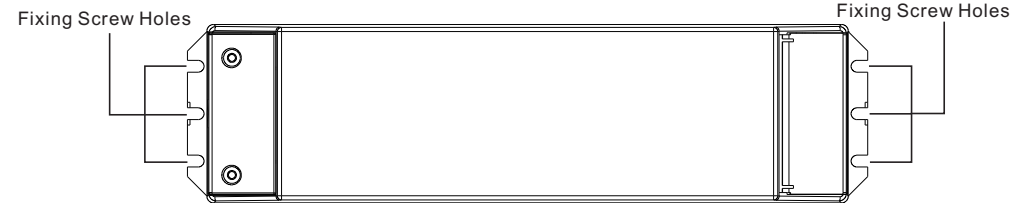
2. With Push Dimmer



Product Dimension



Installation



Note: when mounting the driver, please choose any one of the three fixing screw holes to fix with a screw at each end.