

INSTALLATION INSTRUCTIONS

IMPORTANT SAFEGUARDS

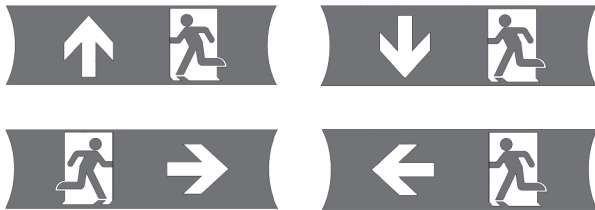
READ AND FOLLOW ALL SAFETY INSTRUCTIONS

When using electrical, basic safety precautions should always be followed including the following. SAVE THESE INSTRUCTIONS

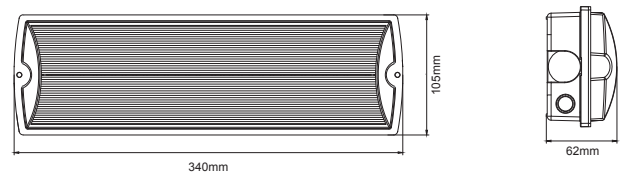
- Disconnect power at fuse or circuit breaker before installing or servicing.
- Do not mount in hazardous locations, or near gas or electric heaters.
- Do not let power cords touch hot surface.
- Equipment should be mounted in locations and at heights where it will not be subjected to tampering by unauthorized personnel.
- The use of accessory equipment not recommend by the manufacturer may cause an unsafe condition.
- Do not use this equipment for other than intended use.
- All servicing should be performed by a qualified personnel only.
- After finish installation, permit charge battery 24hours before full duration test.
- Review the diagrams thoroughly before beginning. Electrical wiring should be performed by qualified service personnel.
- All electrical connections must be in accordance with local codes, ordinances, and the National Electric code.

Description	Supply Voltage	Power Consumption	Battery	Charge Duration	Discharge Duration	Light Source	Insulation Classification	Lumen Output	IP Grade	Ambient Temperature	Test Facility
EPE-EM3-MT	220-240VAC	1.5W@non-maintained 3.5W@maintained	LiFePO4 6.4V 1500mAh,	24h	3h	SMD 2835	ClassII	200lm/100lm selectable	IP65	0 C-45 C	Manual Test
EPE-EM3-AT	220-240VAC	1.5W@non-maintained 3.5W@maintained	LiFePO4 6.4V 1500mAh,	24h	3h	SMD 2835	ClassII	200lm/100lm selectable	IP65	0 C-45 C	Auto Test

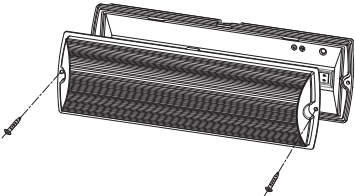
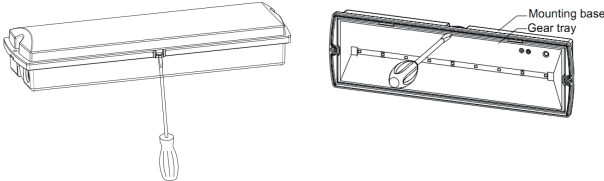
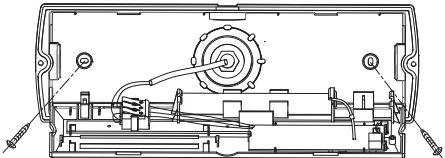
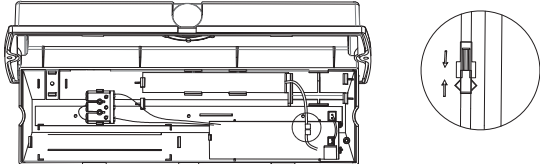
STICKER PICTOGRAM



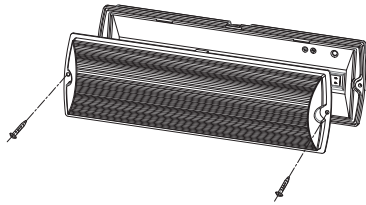
DIMENSION



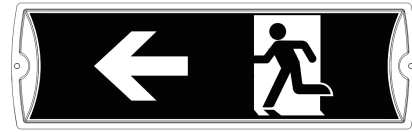
Mounting Instructions

<p>1. Remove the polycarbonate diffuser from the fitting using cross screwdriver. (Fig. 1)</p> 	<p>2. Use a flat blade screwdriver to open polycarbonate diffuser and gear tray to access the mounting base. (Fig. 2)</p> 
<p>3. Pull mains supply cable through conduit entry and connect as per wiring instructions contained in this leaflet. (Fig. 3)</p> 	<p>4. Connect the battery to the PCB using the plug on the wire connector. (Fig. 4)</p> 

5. Close the gear tray paying particular attention not to trap any cables, then replace the diffuser. (Fig. 5)

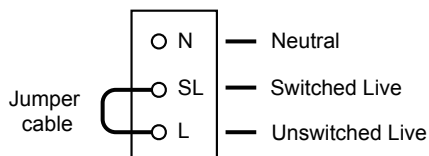


6. Add appropriate sticker pictogram to diffuser and power the unit. (Fig. 6)



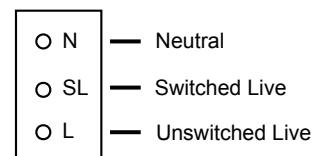
Wiring diagram for EPE-EM3

Maintained Wiring



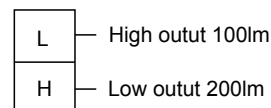
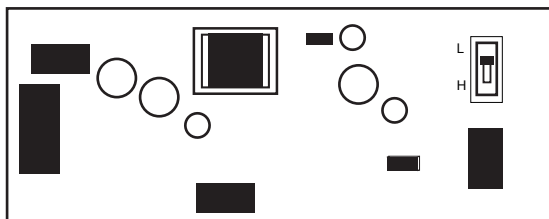
Maintained(default operation):
Connect L,N and leave jumper cable connected.

Non-Maintained Wiring



Non-maintained:Connect L,N and remove jumper cable.

Instructions for switching lumen output



H(default operation)
Switch to L for low lumen output if need.

Instructions for automatic test option

- Once the unit is powered up it will automatically initiate a self test and diagnostics as follows:
 - Every 4 seconds: Check for battery disconnection, charger board fault, lamp fault and transfer fault.
 - Every month:Performs a 3minute duration test.
 - Every year:Performs a 1 Hour or 3 Hours duration test.

All test functions are factory preset and do not need field adjustment.

- Dual Colour Indicator LED Status Meanings
 - Green Solid On Ready/Normal Operation
 - Red Requires Service

•	One flashes, 4 second pause	Battery not connected
••	Two flashes, 4 second pause	Battery undercapacity
•••	Three flashes, 4 second pause	Charger board fault
••••	Four flashes, 4 second pause	AC/DC transfer fault
•••••	Five flashes, 4 second pause	LED lamp fault

NOTE: After repairing a service fault,press and hold the test button for 2 seconds to reset the flashing indicator light to green.

3. Manual Testing

Press test button once	30 second duration test
Press test button twice within 2 seconds	3 minute duration test
Press test button 3 times within 2 seconds	30 minutes duration test
Press test button 4 times within 2 seconds	1 or 3 hours duration test